

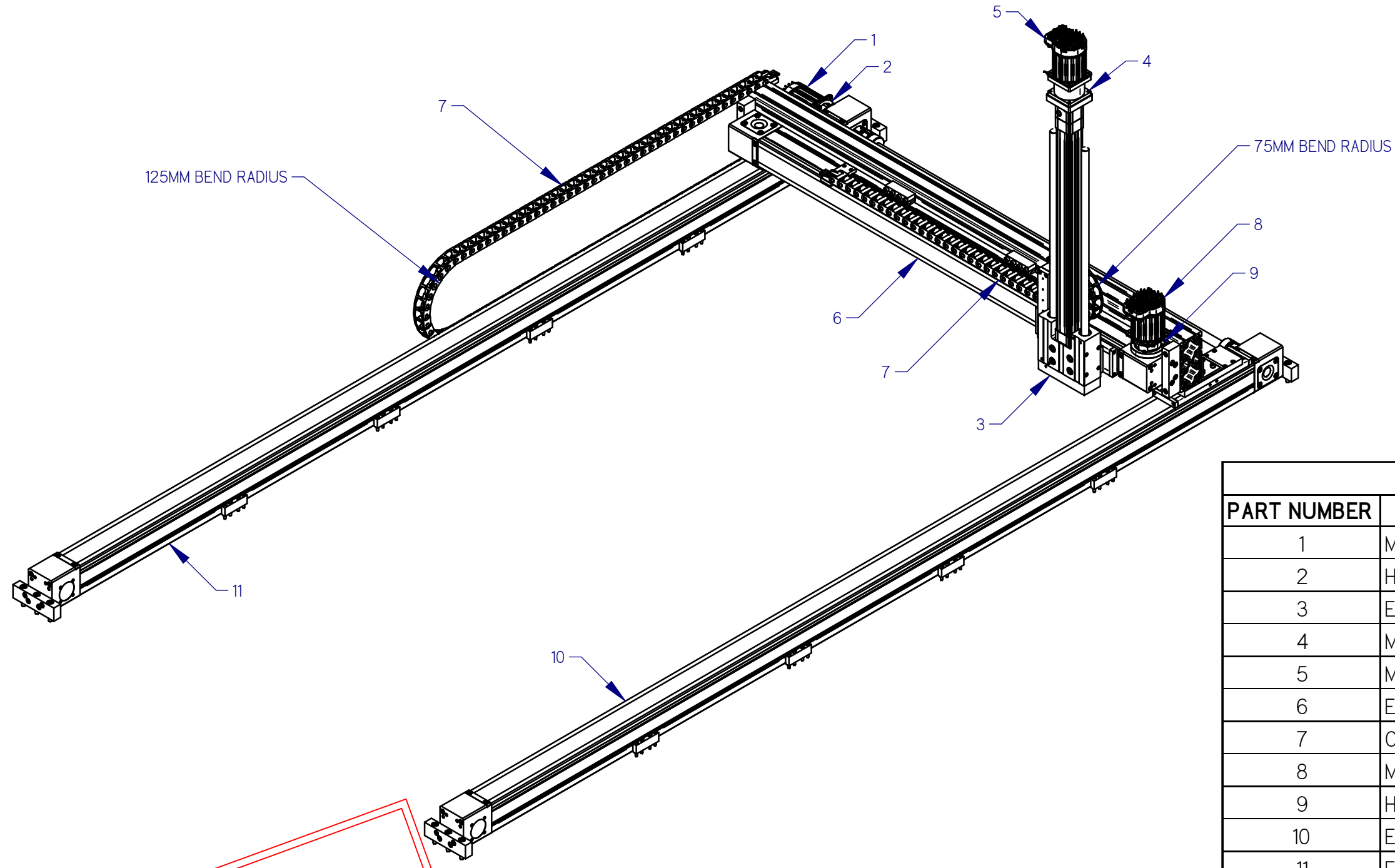
CONCEPTUAL ONLY

SIGN OFF WILL BE REQUIRED AFTER TIME OF ORDER
A NEW PRINT WITH ML NUMBER
WILL BE SUBMITTED FOR APPROVAL AFTER ORDER IS PLACED

NOTES:

- 1) ALL DIMENSIONS FOR REFERENCE ONLY
- 2) ALL DIMENSIONS SUBJECT TO CHANGE PENDING FINAL DESIGN
- 3) SLIDES ASSEMBLED COMPLETELY BUT SYSTEM SHIPPED AS A KIT
- 4) MOTOR, GEARHEAD AND CABLE CARRIER DIMENSIONS MAY VARY DUE TO VENDOR SUPPLIED MODELS

	ALL DIMENSIONS ARE REFERENCE ONLY UNLESS OTHERWISE NOTED	ASME Y14.5M - 1994 THIRD ANGLE PROJ 	MATERIAL: ----	
		HEAT TREAT: ----		
PRE-PRODUCTION RELEASE	ETB	12-11-24	FINISH/PLATING: ----	
			TYPE OF CHANGE: ----	
			BY:	
			DRAWING NO. B-320626-99	
			SHEET NO: 1	



PART LIST	
PART NUMBER	PART
1	MOTOR X-AXIS
2	HOLLOWBORE 5:1 GEARBOX (X)
3	ESLB55X550-RB010-QL11-W0687
4	MOTOR BRAKE
5	MOTOR Z-AXIS
6	ESUS56X2550-RT192-QLT1-KS141
7	CABLE MANAGEMENT
8	MOTOR Y-AXIS
9	HOLLOWBORE 5:1 GEARBOX (Y)
10	ESUS56X2550-RT192-QLT1-KS141
11	ESUS56X2550-RT192-QLTD-KS141

PRELIMINARY COPY

						ALL DIMENSIONS ARE REFERENCE ONLY UNLESS OTHERWISE NOTED	ASME Y14.5M - 1994 THIRD ANGLE PROJ 		MATERIAL:
						REMOVE BURRS AND BREAK ALL EDGES .015 MAX	SCALE: 7:100	BY: DSG DATE: 12-11-24	HEAT TREAT:
REV/CHG	DESCRIPTION	BY	DATE	CHKD	DOC NO	CATALOG DIMENSIONS		FINISH/PLATING:	
								DWG: ETB DATE: 12-11-24	TYPE OF CHANGE:
phd THIS DOCUMENT IS THE PROPERTY OF PHD, INC. AND CONTAINS PROPRIETARY AND CONFIDENTIAL INFORMATION. THIS DOCUMENT REGARDLESS OF FORMAT OR MEDIUM IS LOANED WITH THE EXPRESS UNDERSTANDING THAT NEITHER IT NOR THE INFORMATION CONTAINED THEREIN SHALL BE DISCLOSED WITHOUT THE WRITTEN CONSENT OF PHD, INC. AND THAT THE INFORMATION SHALL BE USED BY THE RECIPIENT ONLY AS APPROVED EXPRESSLY BY PHD, INC. THIS DOCUMENT SHALL BE RETURNED TO PHD, INC. UPON REQUEST. © COPYRIGHT BY PHD, INC. ALL RIGHTS RESERVED.						FIRST USED ON: MODULAR 3-AXIS ASSEMBLY		BY: _____	
								CHK	DATE: